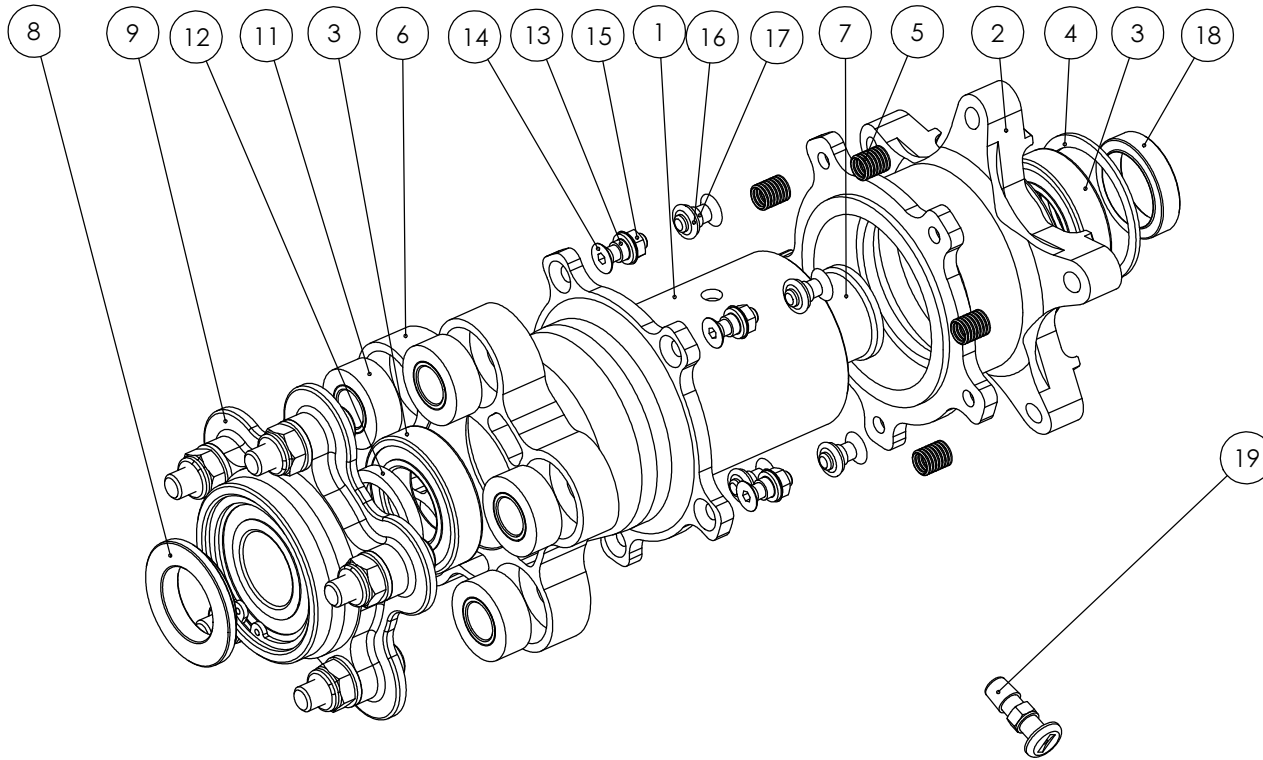

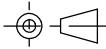


ZONE	REV	DESCRIPTION	APPROVAL
	A	New Design	ICN
			CHECKED
			APPROVED



ITEM NO.	QTY.	DESCRIPTION	PART NO
1	1	CRW Outer Spacer	40000-8000-19-000
2	1	Ducati 999 CRW Brake Hub Adaptor Ver B	14006-8000-19-000
3	2	SKF 6006 2RS1_C3 30 x 55 x 13	SKF 6006 2RS1/C3
4	1	Dia 55 Circlip Std Housing	Bought Out
5	5	Helicoil M8 x 1.5 D (SL)	S108CN x 12
6	1	Ducati 999 CRW Cush Drive Ver B	14006-8000-19-001
7	1	Ducati 999 CRW Inner Spacer Ver B	14006-8000-19-002
8	1	Ducati 999 CRW Sprocket Outer Spacer Ver B	14006-8000-19-006
9	1	CRW Sprocket Carrier Assy	40000-8000-11-000
10	5	Cush Drive Rubber Bush	40000-8000-19-008
11	5	Cush Drive Rubber Bond	40000-8000-19-009
12	1	Ducati 999 CRW Sprocket Inner Spacer	14006-8000-19-005
13	5	CRW Flange Bush	40000-8000-19-005
14	5	M6 x 20 SS CSK Cap Screw	M6 x 20 CSK SS Cap Screw
15	5	Simlock-Nut M6	LM 9 338-06
16	5	Cherry MaxiBolt	CR 7620-08-07
17	5	CRW Brake Flange Bush	40000-8000-19-010
18	1	Ducati 999 CRW Outer Brake Spacer	14006-8000-19-007
19	1	Bridgeport Straight Valve 40-450-1502	# 40 450 1502

STANDARDS UNLESS OTHERWISE STATED: BS 308	APPROVALS		 blackstone TEK PO BOX 1211 PARKLANDS 2121 TEL : +27 11 704 0026 FAX: +27 11 704 0031	
		DATE		
TOLERANCE UNLESS OTHERWISE STATED: TWO DECIMALS ±0.1 ONE DECIMAL ±0.2 NO DECIMAL ±0.5 ANGLE ±0.5	DRAWN		DESCRIPTION Ducati 999 CRW Exploded Assy	
	WDW	08/05/2003		
A3 	CHECKED		DRAWING NO: 14006-8000-16-000	
	CA	09/05/2003		
ALL INFORMATION CONTAINED ON THIS DRAWING IS THE PROPERTY OF BLACKSTONE TEK AND MAY NOT BE DIVULGED TO ANY THIRD PARTY IN ANY FORM WHATSOEVER WITHOUT THE EXPRESS WRITTEN AUTHORIZATION OF BLACKSTONE TEK	ENGINEER		USED ON :	
	WDW	08/05/2003		SHT
	APPROVED			1
	CA	09/05/2003	REV	
	SCALE 1:2		A	

A

B

C

D

E

F